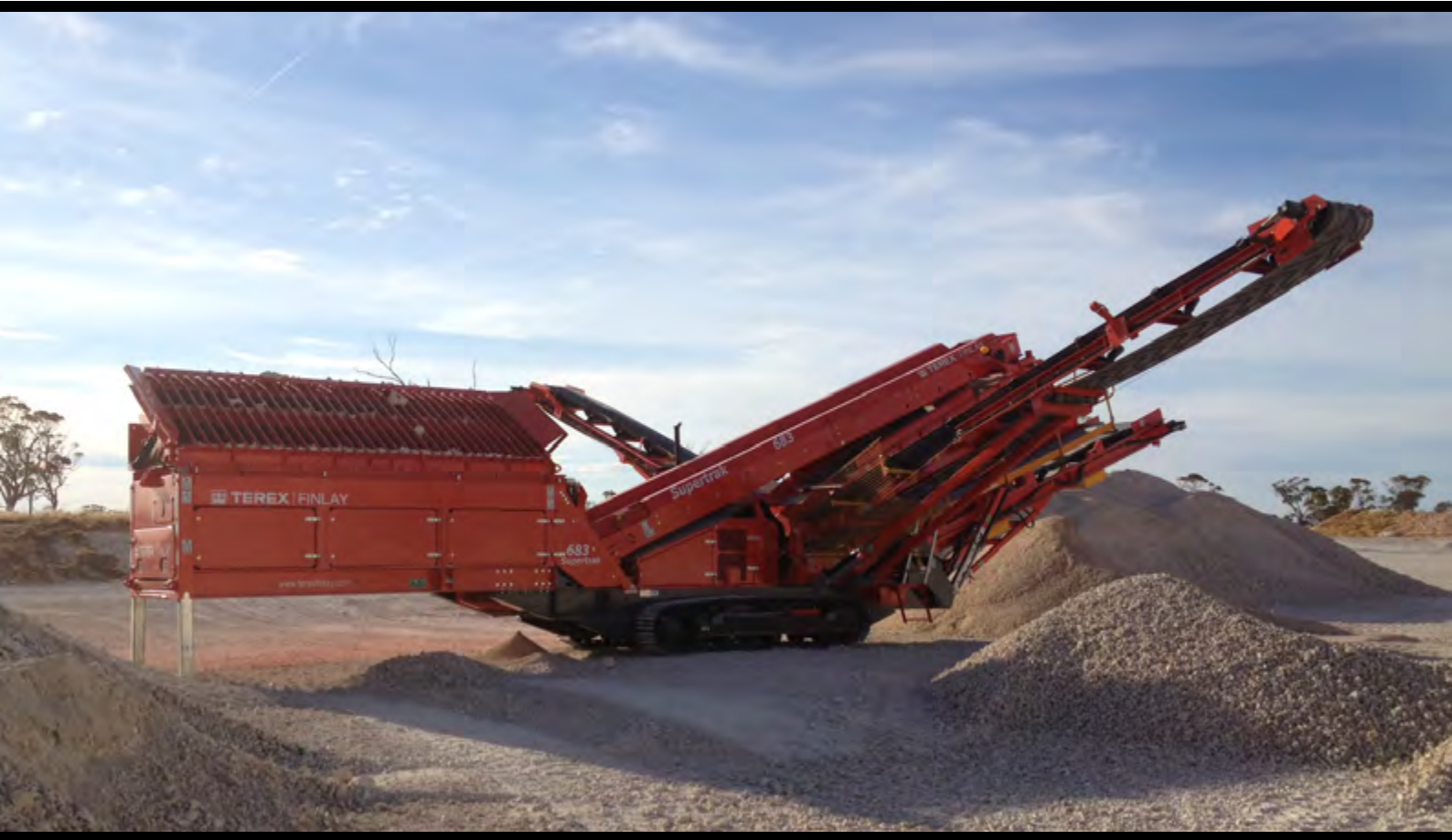




TEREX | FINLAY

683

6 SERIES MOBILE INCLINED SCREENS



WORKS FOR YOU.™

683

Renown for its quality, performance and productivity the Terex Finlay 683 combines scalping, screening and stockpiling into one self contained unit. Its rugged design enables the Terex Finlay 683 with its top deck 3.66m x 1.52m (12' x 5') and bottom deck 3.00m x 1.52m (10' x 5') screen to handle materials such as sand and gravel, limestone, crushed stone, coal, topsoil and demolition waste. Remote tipping reject grid, hydraulic screen tensioning of bottom deck mesh and three on-board hydraulic folding conveyors are standard. The Terex Finlay 683 is available on tracks or as a wheeled unit. Washing equipment can be fitted to the screenbox if required.

Features:

- ▶ The double deck screen box has all round catwalk access allowing for ease of operational maintenance.
- ▶ Tracked mobility and hydraulic folding product conveyors allow for ease of movement and rapid set up.
- ▶ Maximum utilisation of the two decks provide ultra-efficient screening capacities even at small aggregate sizes.
- ▶ Screen box angle can be hydraulically adjusted to an angle between 18° degree and 39°.

STANDARD FEATURES

Tier 3 / Stage 3A: Caterpillar C4.4 ATAAC - 4 cylinder diesel engine developing 83kW (111.3hp) 2200 RPM

Tier 4i / Stage 3B: Caterpillar C4.4 - 4 cylinder diesel engine developing 82kW (110hp) @ 2200 RPM

1050mm (42") wide variable speed belt feeder

Hopper capacity: 8.0m³ (10.5yd³) - 4.25m (14') wide hopper

Remote control hydraulic tipping reject grid c/w grouser bars 4.25m x 100mm spacing (14' x 4")

3.66m x 1.52m (12' x 5') top deck screen and 3.00m x 1.52m (10' x 5') bottom deck screen

No mesh or speedharps included from any deck (but all mesh fitting parts included as standard)

Hydraulic tensioning (bottom deck screen mesh)

Galvanised access catwalks to both sides and around top of screen

Screenbox reject chute (1)

1000mm (40") wide main belt

Skirting on main conveyor

1200mm (48") wide fines belt

650mm (26") wide chevron belt on both side conveyors

Heavy duty undercarriage unit with 400mm wide tracks

Control operation of tracks via hand-held set with 5m connection lead with heavy duty square connector

Low level central greasing & emergency stops (4)

Safety guards in compliance with machinery directive

Middle grade conveyor

- ▶ 650mm (26") 2 ply EP250 chevron belt with variable speed
- ▶ Belt speed: 49mpm (161' per min)
- ▶ Conveyor motors: 500cc/REV
- ▶ Drum centres: 9390mm (30' 10")
- ▶ Discharge height: 4720mm (14')
- ▶ Stockpile capacity: 194m³ (254yd³)

Hopper / Feeder

- ▶ Hopper capacity: 8m³ (10.5yd³)
- ▶ Adjustable height and angle remote tipping grid with wing plates
- ▶ Grid opening: 4250mm (14')
- ▶ Feed with wing plates: 4765mm (15' 8")
- ▶ Feed height: 3450mm (11' 4")
- ▶ Grid aperture: 100mm (4"), 150mm (6")

Tipping grid



speed

Main conveyor

- ▶ 1000mm (40") 3ply belt, EP400
- ▶ Hydraulic drive with steel skirting
- ▶ 630cc/REV Motor
- ▶ Belt speed: 92mpm (302' per min)
- ▶ Drum centres: 8710mm (28' 7")

Fines conveyor

- ▶ 1200mm (48") 3 ply belt, EP400
- ▶ Belt speed: 92 mpm (302' per min)
- ▶ 630cc/REV Motor
- ▶ Drum centres: 6140mm (20' 2")
- ▶ Discharge height: 3856mm (12' 8")
- ▶ Stockpile capacity: 106m³ (139yd³)

Oversize conveyor

- ▶ 650mm (26") 2 ply EP250 chevron belt with variable speed
- ▶ Belt speed: 49mpm (161' per min)
- ▶ Conveyor motors: 500cc/REV
- ▶ Drum centres: 9390mm (30' 10")
- ▶ Discharge height: 4720mm (14')

Screen box

- ▶ 2 bearing high performance screenbox
- ▶ 3660mm x 1524mm (12' x 5') top deck, 3 meshes (side tensioned)
- ▶ 3000mm x 1524mm (10' x 5') bottom deck, 2 meshes (end tensioned)
- ▶ Hydraulic tensioning (bottom deck screen mesh)
- ▶ Galvanised access catwalks on both sides and top end of screen
- ▶ Screen speed: 1200rpm
- ▶ Screen Motor: 51cc/rev
- ▶ Impact plate together with spreader plate
- ▶ Hydraulic angle adjustment from 18° - 39°

Power unit

- ▶ Tier 3 / Stage 3A: Caterpillar C4.4 ATAAC 83kW (111.3hp)
- ▶ Tier 4i / Stage 3B: Caterpillar C4.4 82kW (110hp)

Tracks

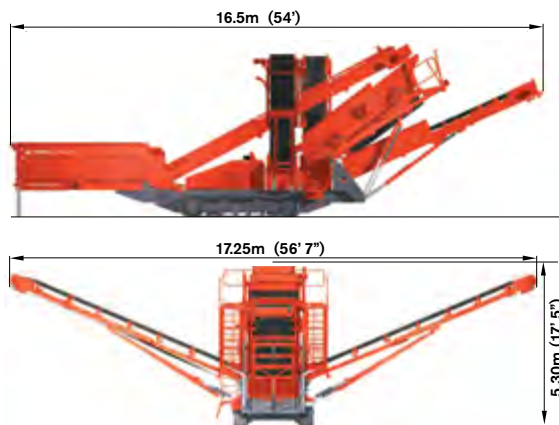
- ▶ Sprocket centres: 2.9m (9' 7")
- ▶ Shoe width 400mm (16")



Transport Dimensions



Working Dimensions



Maximum Plant Capacity:

tph**
275

Stph**
303

**Material is based on pit run sand/gravel with bulk density 1/6T/cu.mm Screening capacity depends upon mesh sizes and relates to dry screening in optimal material conditions.

Machine Weight: * 25,000kgs (54,800lbs)
* With tipping grid

WORKS FOR YOU.™

Follow us on:



www.terexfinlay.com

Effective January 2013. Product specifications and prices are subject to change without notice or obligation. The photographs and/or drawings in this document are for illustrative purposes only. Refer to the appropriate Operator's Manual for instructions on the proper use of this equipment. Failure to follow the appropriate Operator's Manual when using our equipment or to otherwise act irresponsibly may result in serious injury or death. The only warranty applicable to our equipment is the standard written warranty applicable to the particular product and sale and Terex GB Ltd. makes no other warranty, express or implied. Products and services listed may be trademarks, service marks or trade-names of Terex Corporation and/or its subsidiaries in the USA and other countries. All rights are reserved. Terex® is a registered trademark of Terex Corporation in the USA and many other countries. Copyright 2010 Terex GB Ltd.



WORKS FOR YOU.™