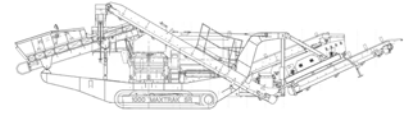


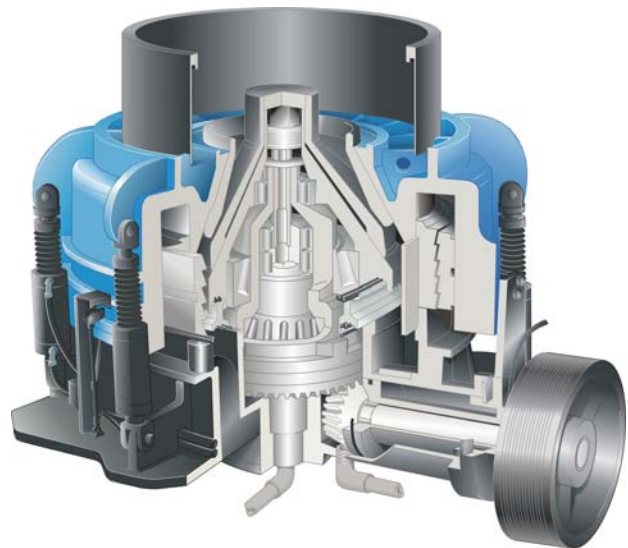


## 1000SR SPECIFICATION



### CONE CRUSHER

- Crusher type:** 1000 Automax Crusher fitted with long throw eccentric.
- Liners:** Manganese steel alloy mantle and concave.
- Standard concave:** Medium Coarse.
- Lubrication:** Pumped system having a chassis mounted lube tank with airblast cooler.
- Adjustment:** Hydraulic setting adjustment, automatic overload release and hydraulic unblocking.
- Control:** Maxset system 4 hydraulic controls as standard.
- Concave options:** Extra coarse (XC)  
Coarse (C)  
Autosand (AS)
- Eccentric option:** Short throw.
- Drive:** Wedge belt drive from engine via hydraulically controlled clutch



### CRUSHER OPTIONS

CRUSHER	CONCAVE	MAXIMUM FEED SIZE	MAXIMUM RECOMMENDED CSS
1000 Automax	Medium Coarse	160mm	36mm
1000 Automax	Coarse	175mm	36mm
1000 Automax	Extra Coarse	195mm	36mm
1000 Autosand	Autosand	63mm	32mm

Each of the above available with choice of long & short throw eccentrics

# 1000SR SPECIFICATION

## FEED HOPPER

<b>Hopper type:</b>	Fixed feed hopper.
<b>Hopper length:</b>	3.38m
<b>Hopper width:</b>	2.5m
<b>Hopper capacity:</b>	Up to 4.4m <sup>3</sup> depending upon method of feed.
<b>Hopper body:</b>	Fabricated in 10mm thick Hardox steel plate and fitted with internal crash bars to minimise impact load on the feed conveyor.



## FEED CONVEYOR

### CONVEYOR FB

<b>Conveyor type:</b>	Shallow troughed belt variable speed conveyor.
<b>Design:</b>	Conveyor is designed to lower for transport and raise hydraulically for operation and crusher maintenance.
<b>Belt type:</b>	EP500/3 with 5mm top and 1.5mm bottom heavy-duty rubber covers and vulcanised joint.
<b>Belt adjustment:</b>	By use of screw adjustment at the tailshaft.
<b>Belt width:</b>	1.0m
<b>Belt centres:</b>	5.4m
<b>Drive:</b>	Hydraulic motor drive to the head drum having integral reduction gearbox.
<b>Impact rollers:</b>	Provided immediately below the feed hopper.
<b>Metal detector:</b>	Provided for detecting steel and manganese, complete with audible warning device and connected to stop the feed conveyor.

<b>Barge boards:</b>	Extend from the feed hopper to the conveyor head.
<b>Lubrication:</b>	Oil for head drum gearbox. Grease nipples located at head and tailshaft for lubrication of shaft bearings. Crusher feed ring fitted with ultrasonic level probe designed to maintain choke feed to the crusher.
<b>Level probe:</b>	



## CRUSHED PRODUCT CONVEYOR

### CONVEYOR 1

<b>Conveyor type:</b>	Troughed belt conveyor with fixed tail end.
<b>Belt type:</b>	EP500/3 with 5mm top and 1.5mm bottom heavy-duty rubber covers.
<b>Belt width:</b>	800mm
<b>Drive:</b>	Direct drive hydraulic motor
<b>Feedboot:</b>	Fabricated in mild steel plate with abrasion resistant steel at impact points.
<b>Skirting:</b>	Fully skirted wear resistant rubber sealing along the conveyor length.

<b>Belt covers:</b>	Canvas type removable dust covers are fitted at the head end.
<b>Belt adjustment:</b>	By use of screw adjustment at head shaft
<b>Impact cradle:</b>	This is provided beneath the belt immediately below the Automax outlet.
<b>Lubrication:</b>	Grease nipples located on side for remote lubrication of shaft bearings.
<b>Control:</b>	Fixed speed.

# 1000SR SPECIFICATION

## TOP DECK SIDE TRANSFER CONVEYOR

### CONVEYOR 2

**Conveyor type:** Plain belt.  
**Belt type:** EP500/3 with 5mm top and 1.5mm bottom rubber covers. A vulcanised joint is included.  
**Conveyor:** Transfers material from the top deck of the sizing screen to the re-circulating conveyor.  
**Width:** 500mm.  
**Drive:** Direct drive hydraulic motor.  
**Lubrication:** Grease nipples located on bearing housings at head and tailshaft.



## RE-CIRCULATING CONVEYOR

### CONVEYOR 3

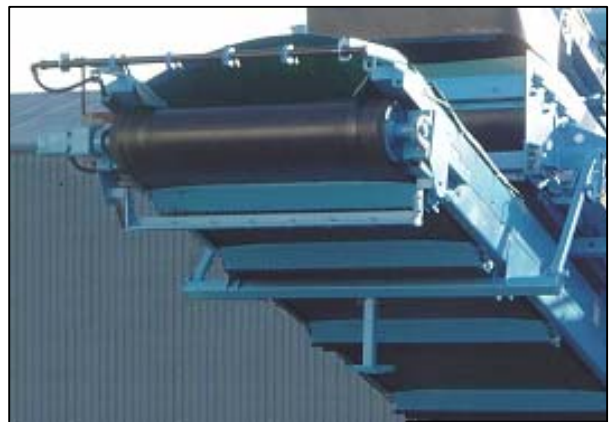
**Conveyor type:** Chevron type troughed belt.  
**Belt type:** Roply 315/2 with 3mm top and 1mm bottom rubber covers, cleated and fitted with a vulcanised joint.  
**Conveyor:** Returns oversize material transferred from the screen top deck back to the crusher for re-crushing. This conveyor can also be positioned to enable oversize material to be stockpiled at the side of the plant to give three products.  
**Width:** 500mm.  
**Drive:** Direct drive hydraulic motor  
**Lubrication:** Remote grease nipples for both drums.  
**Control:** Fixed speed.  
**Transport:** The re-circulating conveyor needs to be in lowered position when tracking on uneven ground or changing gradients or when transported.



## FINES PRODUCT CONVEYOR

### CONVEYOR 4

**Conveyor type:** Plain troughed belt  
**Belt type:** Roply 400/2 with 5mm top and 1.5mm bottom rubber covers. A vulcanised joint is included.  
**Position:** Mounted beneath the screen.  
**Width:** 1.4m.  
**Discharge Height:** 2.92m  
**Drive:** Fixed speed direct drive hydraulic motor to the head drum.  
**Lubrication:** Grease nipples located on side of the conveyor.





# 1000SR SPECIFICATION

## **BOTTOM DECK SIDE TRANSFER CONVEYOR** CONVEYOR 5

<b>Conveyor type:</b>	Plain belt.
<b>Belt type:</b>	EP500/3 with 5mm top and 1.5mm bottom rubber covers. A vulcanised joint is included.
<b>Conveyor:</b>	Transfers material from the bottom deck of the sizing screen to the optional plant mounted stockpiling conveyor or the re-circulating conveyor when in position.
<b>Width:</b>	500mm.
<b>Drive:</b>	Direct drive hydraulic motor.
<b>Lubrication:</b>	Grease nipples located on bearing housings at head and tailshaft.



## **SIZING SCREEN**

<b>Type:</b>	Double deck vibrating screen (Four bearing type)
<b>Size:</b>	1525 x 3350.
<b>Position:</b>	Mounted beneath the crusher product conveyor.
<b>Drive:</b>	Hydraulic drive.
<b>Top deck:</b>	45mm aperture fitted as standard
<b>Bottom deck:</b>	Optional extra.
<b>Control:</b>	Fixed speed. (1100 rpm)
<b>Lubrication:</b>	Four grease nipples.



## **CHUTES**

<b>Automax feedbox:</b>	Fabricated in 6mm mild steel plates. Hinge down back plate to lower feed conveyor head section for minimum transport height.
<b>Product conveyor feed boot:</b>	Fabricated in 10mm thick Hardox steel.
<b>Crusher re-circ chute:</b>	Fabricated in 5mm thick mild steel with Hardox liners. Hydraulic cylinder fitted for raising and lowering for transportation.



## **POWERPACK**

<b>Powerpack type:</b>	Caterpillar C-9.
<b>Performance:</b>	345 HP (257 Kw) at 1800 rpm at sea level.
<b>Engine:</b>	Six cylinders, four stroke, direct injection.
<b>Fuel tank capacity:</b>	522 Litres.

## **CLUTCH**

<b>Clutch type:</b>	High efficiency, self-adjusting HFO clutch with electro-hydraulic operation.
---------------------	--



# 1000SR SPECIFICATION

## CRAWLER TRACKS

<b>Type:</b>	Heavy-duty tracks fitted as standard.
<b>Pitch:</b>	160mm.
<b>Longitudinal centres:</b>	3800mm.
<b>Track width:</b>	400mm.
<b>Climbing grade:</b>	30° maximum.
<b>High speed:</b>	1.3 km/hr.
<b>Slow speed:</b>	0.72 km/hr.
<b>Drive:</b>	Hydraulic integral motors
<b>Track tensioning:</b>	Hydraulic adjuster, grease tension.



## DUST SUPPRESSION SPRAYS

Sprays bars with atomiser nozzles are mounted over the crusher feed box, feed boot and the fines product conveyor head piped to an inlet manifold for client's pressured water supply.

<b>Type:</b>	Clean water multi atomising nozzles.
<b>Inlet:</b>	Single Point.
<b>Pressure required:</b>	2.8 bar (42 psi).
<b>Water supply:</b>	23 litres per minute.
<b>Frost protection:</b>	Via system drain valves.
<b>Pump:</b>	Optional extra.



## GUARDS

Wire mesh or sheet metal guards are provided for all drives, pulleys & couplings.

The guards provided are designed and manufactured to CE & ANSI standards.



## PLATFORMS

Platforms are provided for inspection and maintenance, allowing access to each side of the crusher, rear of the engine and one side of the feed conveyor. They are made from open mesh steel flooring with steel toe boards, double row handrails and access ladders.



# 1000SR SPECIFICATION

## CHASSIS

Heavy duty steel fabricated I section of welded construction.



## PLC CONTROLS

A PLC control panel is mounted the side of the plant to operate the following items: -

- Crusher setting changes to be made and manganese wear to be monitored.
- Oil lubrication system.
- All on plant conveyors including optional bottom deck side transfer conveyor and stockpiling conveyor when fitted.
- Screen.



## SET UP CONTROLS

A Control panel is fitted onto the plant to operate the following items: -

- Feed conveyor (raise/lower)
- Screen (raise/lower)
- Recirculating conveyor (raise/lower)
- Recirculating chute (raise/lower)



## UMBILICAL CONTROL

An umbilical control unit is also supplied with the plant. This is used to control the tracking function and is also fitted with a stop button for the plant.





# 1000SR SPECIFICATION

## **OPTIONAL EXTRAS**

(For prices refer to your dealer)

- Automax Extra Coarse (XC) concave.
- Automax Coarse (C) concave.
- Autosand (AS) concave.
- Short throw eccentric.
- Re-fuelling pump kit.
- Single idler belt weigher with integrator and speed sensing wheel fitted to main product conveyor.
- 500mm wide stockpiling conveyor from the bottom deck oversize transfer conveyor (Conveyor 6).
- Additional level sensor over feed hopper necessary for applications where plant may be underfed.
- Radio remote control.

## **RECOMMENDED OPTIONAL EXTRAS**

- Engine fire extinguisher system.
- Hydraulic driven water pump assembly to provide a pressurised water supply to the dust suppression sprays.

## **REMOTE CONTROL (OPTIONAL EXTRA)**

This option will control the tracking function and also provides stop and start controls for the vibrating grizzly feeder, together with a stop button for the plant. **This facility is only available in certain countries where type approval has been obtained.** For a full list of countries, please consult TP or your dealer.



## **STOCKPILING CONVEYOR (OPTIONAL EXTRA)**

CONVEYOR 6

**Conveyor type:** Chevron type troughed belt  
**Belt type:** Roply 315/2 with 3mm top and 1mm bottom rubber covers, cleated and fitted with a vulcanised joint.  
**Width:** 500mm.  
**Drive:** Direct drive hydraulic motor.  
**Transport:** The stockpiling conveyor needs to be removed when tracking on uneven ground, changing gradients or when transported.

**Lubrication:**

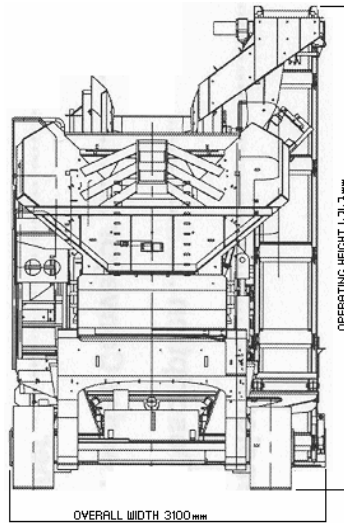
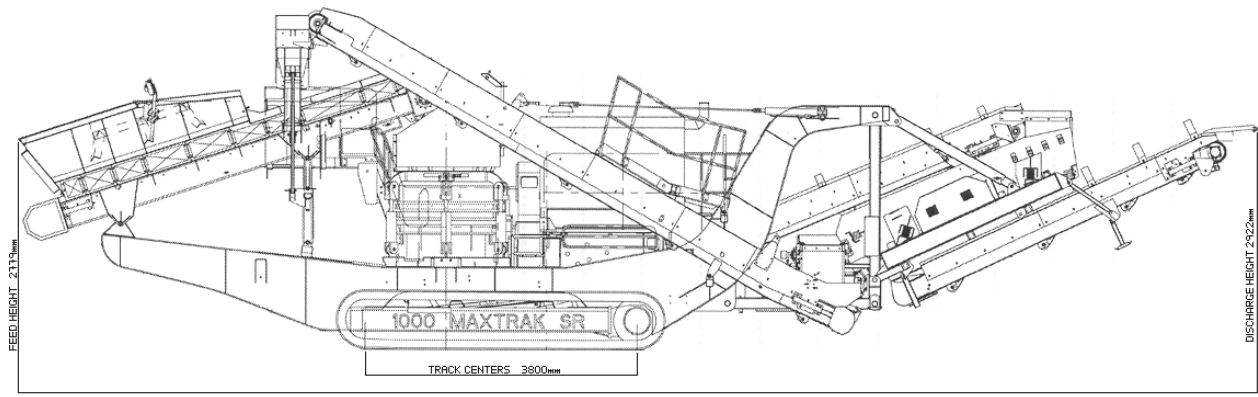
Remote grease nipples both head drums.

**Conveyor:**

Stockpiles material transferred from the bottom deck side transfer conveyor to the side of the plant.

# 1000SR SPECIFICATION

## PLANT DIAGRAM



## APPROXIMATE OVERALL PLANT WEIGHTS & DIMENSIONS

Operating Length: 17310 mm  
Operating Height: 4747 mm  
Operating Width: 3100 mm

Transport Length: 17193 mm  
Transport Width: 3100 mm  
Transport Height: 3446 mm

Total plant weight: 38 Tonnes

## PAINTING

The plant is finish painted RAL 5015 Blue. The tracks, handrails and lower main frame are painted RAL 7012 Grey.

## General

TEREX | Pegson equipment complies with CE requirements.

The plant is designed to operate between ambient temperatures of between -10c and 40c at altitudes up to 1000 meters above sea level. For applications outside this range please consult with Terex Pegson Limited.

Please consult TEREX | Pegson if you have any other specific requirements in respect of guarding, noise or vibration levels, dust emissions, or any other factors relevant to health and safety measures or environmental protection needs. On receipt of specific requests we will endeavour to ascertain the need for additional equipment and, if appropriate, quote extra to contract prices. Every endeavour will be made to supply equipment as specified, but we reserve the right, where necessary, to amend the specifications without prior notice as we operate a policy of continual product development. It is the importers responsibility to check that all equipment supplied complies with local legislation.

1000SR Specification 1000SR/204.